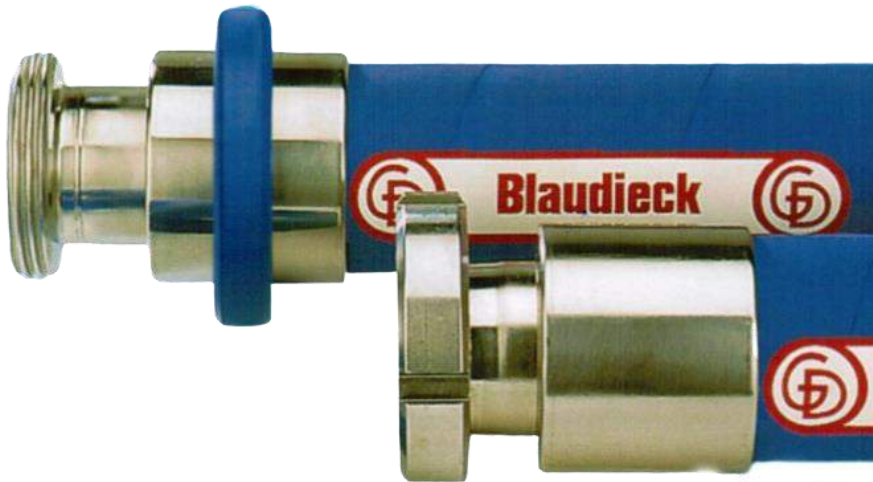


## Blaudieck Food Grade Hose



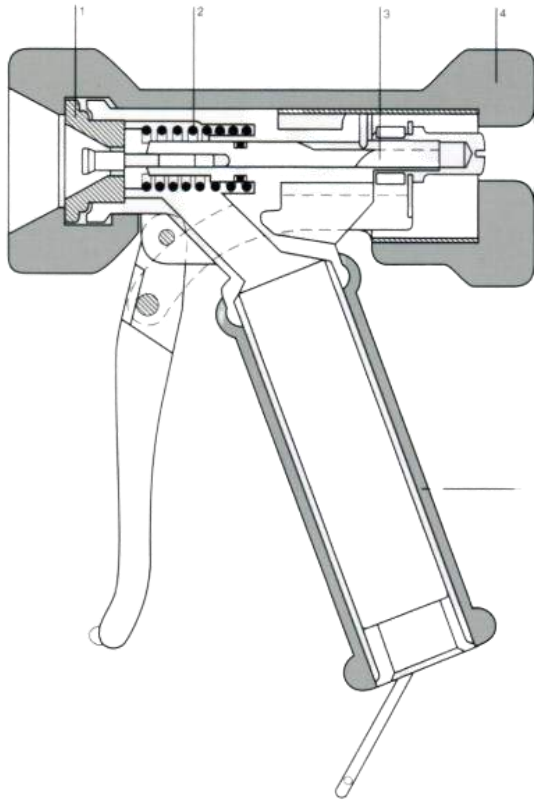
### Product Properties:

- Absolutely odorless and neutral to the taste
- Hygienically smooth, non-porous inner core, easy to clean in CIP Systems
- Temperature resistant, -30°C up to +80°C, 90°C max 20 minutes
- Steam-proof for disinfection purposes up to 110°C, 130°C max 20 minutes
- Resistant to normal cleaning and disinfection agents
- Interior and exterior resistant against oil, grease and lye
- In accordance with the recommendation XXI of FDA and BfR
- NBR cover, resistant to ozone, weather, UV radiation, and abrasion

### Blaudieck Hose Technical Data

I.D. mm	13	19	25	32	40	50	65	75	80	100
Wall Thickness mm	4	5	6	8	9	10	12	12	14	15
Roll Length m	40	40	40	40	40	40	40	20	20	20
Bending Radius mm	80	100	125	200	250	320	420	500	650	750
Weight approx. g/m	280	0,53	0,79	1,35	2,05	2,80	4,60	5,65	6,10	7,40
Working Pressure bar	16	16	16	16	16	16	16	16	16	16
Bursting Pressure bar	48	48	48	48	48	48	48	48	48	48
Vacuum bar	-0.6	-0.6	-0.5	-0.5	-0.5	-0.4	-0.4	-0.3	-0.3	-0.3

# Food Grade Water Spray Gun



Components List	
1	Jet
2	Spring
3	Valve Bolt, complete
4	Protective Rubber Cladding
5	Rubber Handle

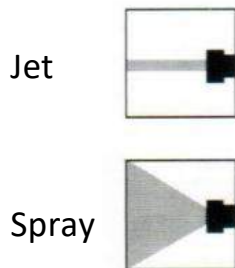
The brass casing which is protected by strong grease and caustic resistant cladding is completely impervious to shock on being dropped. No damage can be caused to tanks or tiled floors.

**Operating Pressure:** 25 bar max

**Water Temperature:** 80°C max

**Approximate Output:** 25 l/min at 5 bar pressure.

**Push in Connections:** Detachable 0.75"



Performance Data												
Bar	1	2	3	4	5	6	7	8	9	10	11	12
Jet m <sup>3</sup> /h	0.685	0.969	1.18	1.37	1.53	1.68	1.81	1.94	2.06	2.17	2.27	2.37
Spraying m <sup>3</sup> /h	1.28	1.81	2.22	2.56	2.86	3.14	3.39	3.62	3.84	4.05	4.25	4.41

Performance Data Continued												
Bar	13	14	15	16	17	18	19	20	21	22	23	24
Jet m <sup>3</sup> /h	2.47	2.56	2.65	2.74	2.82	2.91	2.99	3.06	3.14	3.21	3.29	3.36
Spraying m <sup>3</sup> /h	4.62	4.79	4.96	5.12	5.28	5.43	5.58	5.72	5.87	6.00	6.14	6.27